

Freeze Sensor

Honeywell Home Security System

The Freeze Sensor is a device that will detect freezing conditions that could affect home plumbing or the functioning of home equipment. It consists of an integrated low temperature sensor/wireless transmitter, which you'll mount on an interior wall. Once the Sensor is programmed and installed, it will send a signal to the Control Panel if it detects a temperature below approximately 41°F (5°C). This signal will set off an alarm.

The Freeze Sensor

- Designed to be installed directly on an interior wall.
- Requires no wiring.
- Monitors the temperature 24 hours/day and detects when temperatures drop below approximately 41°F (5°C).
- Causes the Control Panel alarm to sound.
- Signals the Control Panel when its batteries are low.
- Automatic Voice Dialer calls your pre-programmed phone numbers to notify of potential freeze damage.

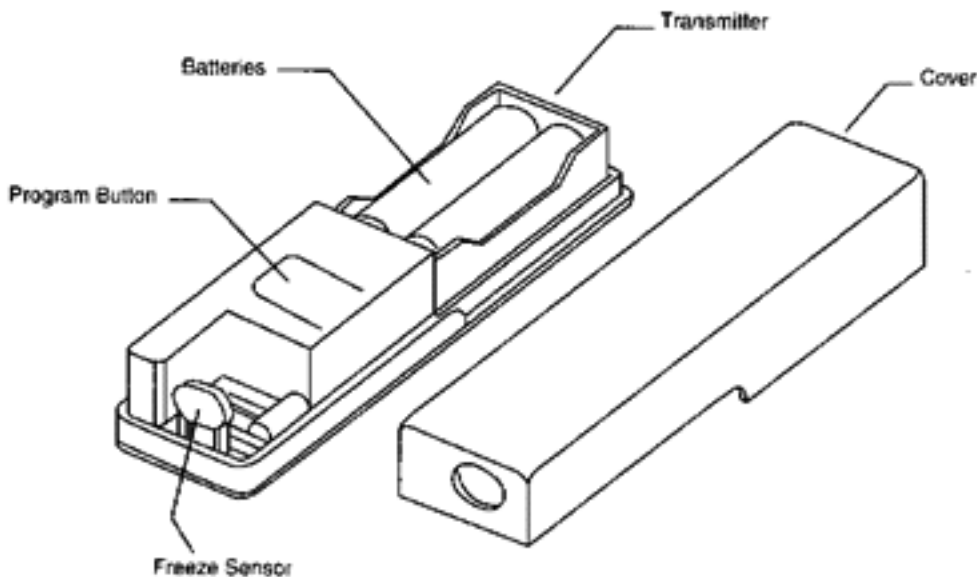
You Need to Know

- Sensors can be mounted with double-sided tape or with screws (both are provided).
- Position Sensor in any location where freezing conditions may cause damage. Caution: an incorrect reading could occur if the sensor is installed on an exposed exterior wall that gets very cold.
- Avoid mounting Sensors where they will be exposed to moisture.
- Two AAA alkaline batteries (not included) must be installed in the Sensor/Transmitter.
- The Sensor must be programmed into the Control Panel.
- For best performance, all Sensors should be installed within 100 feet of the Control Panel.
- Test the Freeze Sensor once a season to verify that it is operating properly. Testing requires cooling the sensor to 41°F (5°C) or below.

1 Install the Batteries

IMPORTANT

The System cannot work without power. If the electrical power fails and the Control Panel battery or Sensor batteries are weak or dead, the System will not work.



Sensor positioning and battery location.

1. Press the release button on top of the Sensor/Transmitter, and remove the cover.
2. Insert two AAA batteries, positioning + and - contacts as indicated.
3. Leave the cover off for programming and installation.

2 Program the Sensor

The Freeze Sensor will not operate as part of the System if it is not programmed into the Control Panel in accordance with these instructions.

For the PC Managed System:

Note: The Sensor requires Honeywell Home Control Software Version 2.0. To obtain call 1-800-541-8001.

1. Click on **Devices** on the Main Screen.
2. From the Select menu, click on **Freeze Sensor**.
3. Click on **Add**. The Device Details screen for Freeze Sensor will appear.
4. Use the arrow beside the Device Name box to see name choices. Click on the name you want.
5. Click on **Program Sensor**.
6. Press the program button on the front of the transmitter. Hold it in for about 2 seconds, then release. You will hear the Control Panel beep. An on-screen message will tell you the Sensor has been successfully programmed.
7. Click on **OK**.

For the Basic System:

1. Open the hinged door on the Control Panel
2. Press **Add** from the Start menu.
3. Press **Sensor** from the Main menu until you hear the name of the location you have selected for your Sensor.
4. Press the program button on the front of the transmitter. The System Voice will confirm that the Sensor has been programmed.
5. Close the Control Panel door.

