

Series 140 Structured Media™ Enclosure with Flush Mount Cover

APPLICATION

Leviton's Structured Media™ enclosures make running cable and managing media both simple and more cost-effective. Designed to provide a central distribution point for all your home or small office technologies, the enclosures accommodate: office networking, fax, Internet, DSL and cable modems, multi-line telephones, security camera, coaxial cable and satellite video distribution, and more.

STANDARDS COMPLIANCE

Meets all applicable standards: cULus and ACA listed; complies with all TIA/EIA 568-A and TIA/EIA 570-A requirements, and meets FCC part 68.

PHYSICAL SPECIFICATIONS

Materials: 18 gauge, white, powder-coated steel.
Dimensions: Enclosure: 14.38"H x 14.38"W x 3.60"D
Cover: 16.10"H x 16.10"W x 0.20"D
Capacity: Maximum of two full-sized distribution panels

DESIGN CONSIDERATIONS

- Product may be surface mounted or recessed.
- When recessed, product should be mounted before drywall.
- Must not be mounted in a firewall application.
- Flush Mount Cover overlaps 3/4" to cover possible uneven dry-wall cuts around the box.
- Features "stud stops" to prevent the Media Center from falling between studs during installation.
- Ships with a cardboard insert to help prevent drywall debris or paint over-spray from entering the box during the rough-in stage of installation.
- Mounting guides on the cover align screw holes for easier installation.
- Multiple knockouts on the top and bottom support conduit up to 2" and facilitate cable routing and entry.
- Cut-out for single gang J-box kit.
- Self-healing foam grommets protect cable bundles.
- Designed for residential or small offices approximately 1000 sq. ft. or less.
- Larger sizes available.

See ELECTRONIC FILES for CAD files (.DXF, .DWG, MS-DOS.EPS) on disk



INSTALLATION NOTES

- When surface mounting on the wall, care should be given to close all exterior enclosure openings to avoid injury.

WARRANTY INFORMATION

- Two-year limited product warranty.
- Product and performance warranties are extended to 10 years if installed as part of a Leviton Integrated Networks Certified System.

For ELECTRONIC Typical Specs see (.TXT) file on disk.

TYPICAL SPECIFICATION

The Series 140 Structured Media™ enclosure shall be a one-piece (excluding cover) box, made of 18 gauge, white, powder-coated steel. It shall flush mount with four wood screws (provided) on standard 16" center wall studs prior to drywall, or surface mount after drywall. The enclosure shall have a cut-out for a single-gang J-box power module. SMC includes multiple knockouts on the top and bottom support conduit up to 2" and facilitate cable routing and entry. The Series 140 Structured Media enclosure shall meet all applicable standards: cULus and ACA listed, comply with all TIA/EIA-568-A and TIA/EIA-570-A requirements and meets FCC part 68. The manufacturer shall provide a two-year limited product warranty. Product and performance warranties are extended to 10 years if installed as part of a Leviton Integrated Networks Certified System.



For Applications Engineering Support – Call 1-425-485-4288; in USA call 1-800-722-2082
Spec sheets and updates are also available at www.levitonvoicedata.com.

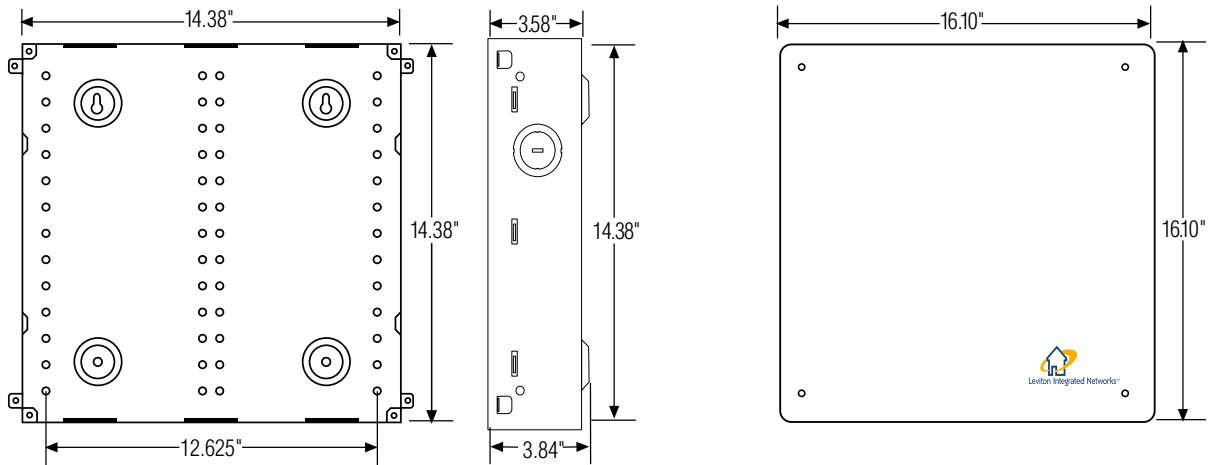
Series 140 Structured Media™ Enclosure with Flush Mount Cover

Part Numbers
47605-14W 47605-14N
47605-F14

DIMENSIONAL LINE ART

See ELECTRONIC FILES for CAD images
 (.DXF, .DWG, MS-DOS.EPS)

Series 140 Structured Media™ Enclosure with Flush Mount Cover

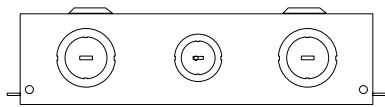


Front View

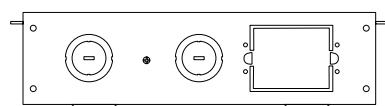
Side View

Front View Cover

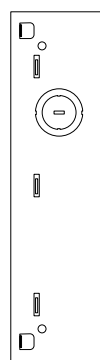
Top View



Bottom View



Side View



Part Numbers

Description	Part No.
14" Structured Media Center (Enclosure and Flush Mount Cover)	47605-14W
14" Structured Media Enclosure only	47605-14N
Flush Mount Cover for Series 140 Enclosure	47605-F14

For Applications Engineering Support – Call 1-425-485-4288; in USA call 1-800-722-2082.
 Spec sheets and updates are also available at www.levitonvoicedata.com.



2222 – 222nd St. SE • Bothell, WA 98021 USA • Tel: 1-800-722-2082 / 1-425-485-4288 • Fax: 1-425-483-5270 • Int'l Fax: 1-425-485-9170 • GSA# GS-35F-4785G

