

Wall Mounted Programmable Timer

INSTALLATION INSTRUCTIONS and Diagrams

For Leviton Cat. No. 6312

Rated: 125 VAC/60Hz, 2.5 Watts

FOR INDOOR USE ONLY

For use with DEC Home Automation Modules

LEVITON'S LIMITED TWO-YEAR WARRANTY

This warranty gives you specific rights, and you may also have other rights, which vary in different states and countries. Leviton warrants to the original consumer purchaser that this product is free of defects in materials and workmanship for 2 years from the purchase date. Leviton's only obligation is to correct such defects by repair or replacement, at its option, if within such 2 years the product is returned prepaid, with proof of purchase date, and a description of the problem to Leviton Manufacturing Co., Inc., ATT. Quality Assurance Department, 59-25 Little Neck Pkwy., Little Neck, NY 11362-2591. This warranty does not cover labor for removal or reinstallation of the product and is void on any product installed improperly or in an improper environment, overloaded, misused, opened, abused, or altered in any manner. There are no implied warranties of any kind, but if implied warranties are required by the applicable jurisdiction, Leviton limits the duration of any implied warranty of fitness for use or merchantability to 2 years. Leviton is not liable for incidental or consequential damages for breach of any warranty on this product. Some jurisdictions may not allow exclusion of or limitations on how long an implied warranty lasts or the exclusion or limitation of incidental or consequential damages, so the above exclusions or limitations may not apply to you.



DI-800-6312 REV no

INTRODUCTION

The Leviton Cat. No. 6312 Programmable Timer controls up to 4 Leviton DEC Switch and Receptacle Module addresses (I-4 or 5-S) automatically. The other set of 4 addresses may be activated manually. You can have your outside lights, as well as inside lights and appliances, turn on and off at preset times to give your home that "lived in look" while you are away.

With the 6312 Programmable Timer, you can program your Modules to go on and off at the same time every day (up to 2 cycles of on and off). There is even a "Security" button which automatically varies your programmed time each day so your home doesn't look like it's controlled by a timer.

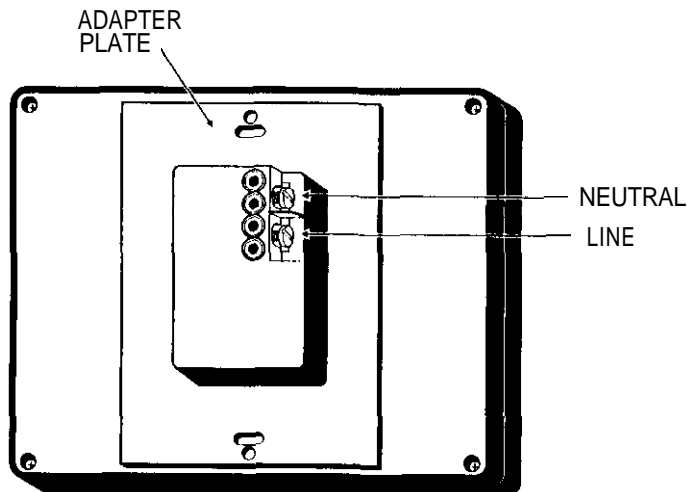
You can manually turn off your child's radio or night light from your bedside and dim your bedside lamp. You can turn on ALL lights connected to Lamp Modules and Wall Switch Modules, with the touch of a button, if you hear suspicious noise at night. Additionally, you can even turn off everything in the system with one button.

INSTALLATION INSTRUCTIONS

TO BE INSTALLED AND/OR USED IN ACCORDANCE WITH APPROPRIATE ELECTRICAL CODES AND REGULATIONS

WARNING: TO AVOID FIRE, SHOCK, OR DEATH; TURN OFF POWER AT CIRCUIT BREAKER OR FUSE. TEST THAT POWER IS OFF BEFORE WIRING! Use this device only with copper or copper clad wire. With aluminum wire use only devices marked CO/ALR. If you do not understand these instructions, consult a qualified electrician.

1. Mount the adapter plate to the junction box using the two short screws provided. Tighten screws firmly.
2. To Strip Wire: Remove insulation from wire per "STRIP GAUGE" on label located on back of device (about 1/2 inch). Insert straight wires into holes next to appropriate terminal screws. Tighten screws firmly.
3. Connect these wires per WIRING DIAGRAM as follows: BLACK (hot) wire to BRASS screw. WHITE (neutral) wire to SILVER screw. Tighten all screws firmly. Back wire terminals accept up to #10 copper or copper clad wire.
4. Mount 6312 Timer into adapter plate with two long mounting screws provided. Tighten screws firmly.
5. Restore power at circuit breaker or fuse. Installation is complete



BEFORE YOU BEGIN

Keep in mind that the 6312 Programmable Timer will always turn lamps and appliances on or off the instant you press the buttons. That's obvious but there can be some unexpected consequences.

Caution: For example, an empty coffee pot can be remotely turned on. If that should happen, your coffee pot may be damaged from overheating. If an electric heater is turned on by remote control while clothing just happens to be draped over it, a fire could result. Therefore, do not use with high power heating devices or with devices that could overheat if left unattended.

Safety Note: Always be aware of what appliance you are turning on or off so that potentially dangerous situations will not occur.

HOW IT WORKS

The 6312 Timer wires into the AC power lines of your home and transmits digitally encoded signals over your house wiring instantly, or at the times you set. These signals are received by the Leviton Modules.

WHAT DOES THE PROGRAMMER DO?

The 6312 Timer is programmed like a digital alarm clock. You can program up to 4 address codes from the 6312 Timer, and you have manual control of 4 additional addresses.

Advancing to a particular time (in the Set Times mode) and then pressing a number ON or OFF key will set an on or off time for that Module, every day. However, if (within 4 seconds) you press the "Security" switch you will change the program to occur at random times each day (within 1/2 hour of the time set, either way).

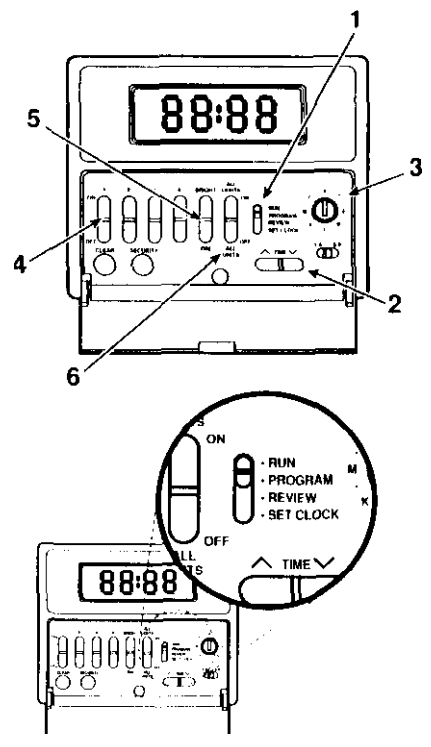
QUICK TOUR

Let's quickly review the functions of each part of the keyboard. Referring to the diagram that follows, you will see that the keyboard on the 6312 Timer consists of 6 basic areas.

1. **Mode Switch:** This is used to select whether you wish to set the clock, program a timed event, review your program of events or run your chosen program.
2. **Time Adjust Rocker Switch:** This sets the time of the clock and/or the time you wish to set for each programmed event.
3. **House/code Dial:** In the top right hand corner is the Housecode dial which you set to the same letter as all of your Modules and any other Controllers you wish to be controlled by this programmer.
4. **ON/OFF Rocker Switch:** In the top left hand corner there are 6 rocker keys. The first 4 are used to turn Modules 1 through 4 (or 5 through 6) on or off instantly by pressing either the top of the rocker for ON or bottom for OFF.
5. **Bright/Dim Rocker Switch:** The Bright and Dim rocker key will brighten and dim lights connected to Lamp Modules and Wall Switch Modules when pressed after first selecting the Module by pressing the ON rocker corresponding to its Unit Code (1 or 4 or 5 to 6).
6. **All Lights On/All Units Off Rocker Switch:** Will instantly turn all Lighting Modules on, and instantly turn off all Modules including Appliance and Receptacle Modules, on the House (letter) Code set on this programmer.

How to Program a timed event

1. Place mode switch in "Program" position.
2. Advance to desired time.
3. Press any of the 4 ON or OFF rocker keys to set an on or off time for that address. This will program the Leviton 6312 Timer to turn that Module on or off at that time every day.



Special Programming Buttons

Security button: Press the Security button within 4 seconds after setting an ON or OFF time to modify the program so that lights (or appliances) will go on or off at a slightly different time every day (within 1/2 hour of the programmed time, either way).

Clear Button: Pressing this (in the Review mode) cancels the on time or off time being displayed.

Selector Switch: Used to select whether you want your 6312 Timer to control Modules set to unit codes 1 through 4, or 5 through 8. You can move the Selector Switch back and forth for manual control of Leviton Modules, but you will only be able to set times for one group (1 through 4, or 5 through 8).

SETTING THE CLOCK

When you first wire in the Leviton 6312 Timer, the display will flash.

1. Set the mode switch to "Set Clock".
2. Press the "Time" rocker switch to set the time forward or backward. A quick press on the rocker switch will advance or decrease the time by 1 minute. If you hold the switch down, the display will move toward the correct time at a faster rate.

SETTING UP YOUR MODULES FOR INSTANT CONTROL

Follow the steps below to make sure you can control your Modules before you program the Leviton 6312 timer.

1. Install and set up all of your Modules, referring to the instructions included with them.
CAUTION: Be **sure** to turn the power OFF at the main circuit breaker panel when installing **accessories** that **require direct** wiring into the AC power lines.
2. Set all of your Modules to the same House (letter) Code as you set on the 6312 Timer.
3. Set each Module to a Unit Code between 1 through 4 (or between 5 through 8 if you set the Selector Switch on the 6312 Timer to the 5-8 position).
4. Set the Mode Switch on the 6312 Timer to the "Run" position.
5. To turn on a particular address, press the ON rocker switch that corresponds to the number you set on the Module(s) you wish to control.
6. To turn off a particular address, press the OFF rocker switch that corresponds to the number you set on the Module(s) you wish to control.

To Dim and Brighten lights

To dim or brighten lights connected to dimming Well Switch Modules, first select the address by pressing and releasing the ON rocker switch for the desired lights, then press the Bright or Dim rocker switch. Press the switch up or down until the desired brightness level is reached.

NOTE: The Bright/Dim function will not work with non-dimming devices (appliance switch and receptacle modules).

To turn on all lights

To instantly turn on all lights connected to Dimming Modules and Wall Switch Modules (with same Housecode as 6312 Timer), press the "All Lights On" switch. This switch does not effect receptacles.

To turn off all Modules

To instantly turn off all lights and appliances connected to any kind of Leviton Module (with the same Housecode as the 6312 Timer), press the "All Units Off" switch.

SETTING ON AND OFF TIMES

Setting something to happen "every day" at the same time

Alter you have installed all of your Modules and checked that they are working from the 6312 Timer, you are ready to program timed events.

1. Set the Mode Switch to the "Program" position.
2. Press the "Time" rocker switch to set the desired on or off time. When you first press the "Time" rocker switch the time will advance or go back by 1 minute (depending on the direction chosen). If you hold the switch down the display will "speed up" so you can get to the desired time faster. When you get close to the desired time, you can "tap" the switch a few times to get to the exact time you want.
3. When you reach the desired time, press the ON or OFF rocker switch for the Unit Code you wish to program.

For example: If you advance to 12:45 PM and then press the ON rocker switch for number 2, you will program the Module(s) set to Unit Code 2 to go on at 12:45 PM every day.

If you advance to 7:00 AM and then press the OFF rocker switch for number 2, you will program the Module(s) set to Unit Code 2 to go off at 7:00 AM every day.

You can now advance to another time and press another ON or OFF rocker switch (or the same rocker switch) to program another time. You can program 2 ON times and 2 OFF times for each of the 4 addresses.

To program the same on or off time for multiple addresses, advance to the time you want and then press the appropriate ON or OFF rocker switches one after the other, without changing the time.

SETTING A TIMED EVENT TO OCCUR IN THE "SECURITY" MODE

If you advance to a specific time, and then press one of the ON or OFF rocker switches, you will set an on or off time for that Unit Code to occur every day at exactly the same time. If however, you press the "Security" button within 4 seconds after setting an ON or OFF time, you will modify the program for that particular Unit Code to occur every day at a slightly different time each day.

The event you have programmed will happen at the time you have programmed on the first day, and will then happen at a different time on each subsequent day (within the 112 hour you have programmed either way).

For example:

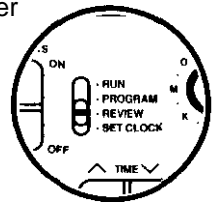
If you advance to 7:30 PM, press the ON rocker key for number 2 and then press the "Security" button (within 4 seconds): the Module(s) set to Unit Code number 2 will go on at exactly 7:30 PM on the first day and any time between 7:00 PM and 8:00 PM every day after that. This time will vary each day to ensure that the address does not go on at the same time each day.

PROGRAM REVIEW

Set the Mode Switch in the "Review" position.

NOTE: The display may show an apparently random time until you press a key.

If you press any of the 4 ON (or OFF) rocker switches, the display will show the on (or off) time programmed for that address. If you have 2 on (or off) times set, you can display the second on (or off) time by pressing the ON (or OFF) rocker switch again. Each subsequent press of the ON (or OFF) rocker switch will alternately display each of the 2 on (or off) times.



To remove a programmed time

If while displaying a particular on (or off) time, you press the Clear button, all the programmed times for that address will be cleared. This will not affect any other addresses you have set.

If the display reads 18:88

If the display reads 18:88 when you try to enter a programmed time, this means that you have tried to enter a time when you already have 2 times set. To correct this: Select Review Mode and press the ON or OFF switch to review the times set for each address. Cancel the times set at each applicable address and enter the time(s) you want.

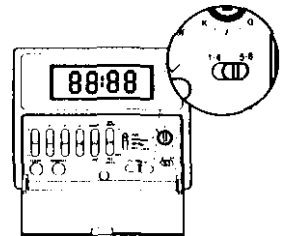
SELECTOR SWITCH

1-4 position

With the "Selector" switch in the 1-4 position, the 4 ON and OFF rocker switches control and set times for Modules set to Unit Codes 1 through 4 respectively.

5-8 position

With the "Selector" switch in the 5-8 position, the 4 ON and OFF rocker switches control and set times for Modules set to Unit Codes 5 through 8 respectively.



Controlling Modules 1-8

With the Mode switch in the "Run" position, you can slide the Selector switch back and forth to manually control Modules set to 1 through 4 and 5 through 8. However, in the "Set Clock" mode you will only be able to set on/off times for Modules set to codes 1 through 4 or 5 through 8.

If you set an ON or OFF time for addresses 1 through 4 and then flip the Selector switch to the 5 through 8 position, the times set for addresses 1 through 4 will affect addresses 5 through 8.

NOTE: You cannot set ON or OFF times for Modules 1 through 4 and 5 through 8.

TROUBLESHOOTING

If a particular Module won't go on or off from the rocker switches on the 6312 Timer:

1. Check that you have power at the Module, and/or the switch on the light or appliance is in the ON position.
2. Check that the Unit Code and Housecode on the Module are set correctly.
3. If you can't control any Modules from the 6312 Timer, there may be a problem with signal strength or noise interference.
4. If addresses programmed do not respond to the controller, but other units do, check position of selector switch and/or the House and Unit codes at the controller and the Modules.

INTERCOM SYSTEMS

Intercom systems which send voice signals over existing electrical wiring may interfere with the operation of the Leviton 6312 Timer when the intercom is in use. If the Intercom system has its own separate wiring it will not cause a problem.

POWER INTERRUPTIONS

When the power is restored after an outage, Dimming DEC devices will normally be OFF. Non-dimming Modules have a "latching relay mechanism" and will stay as they were before the interruption.