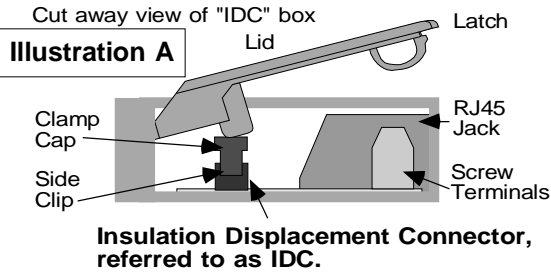


# HOT LINK™ Emitter Expansion Kit X6 Instructions

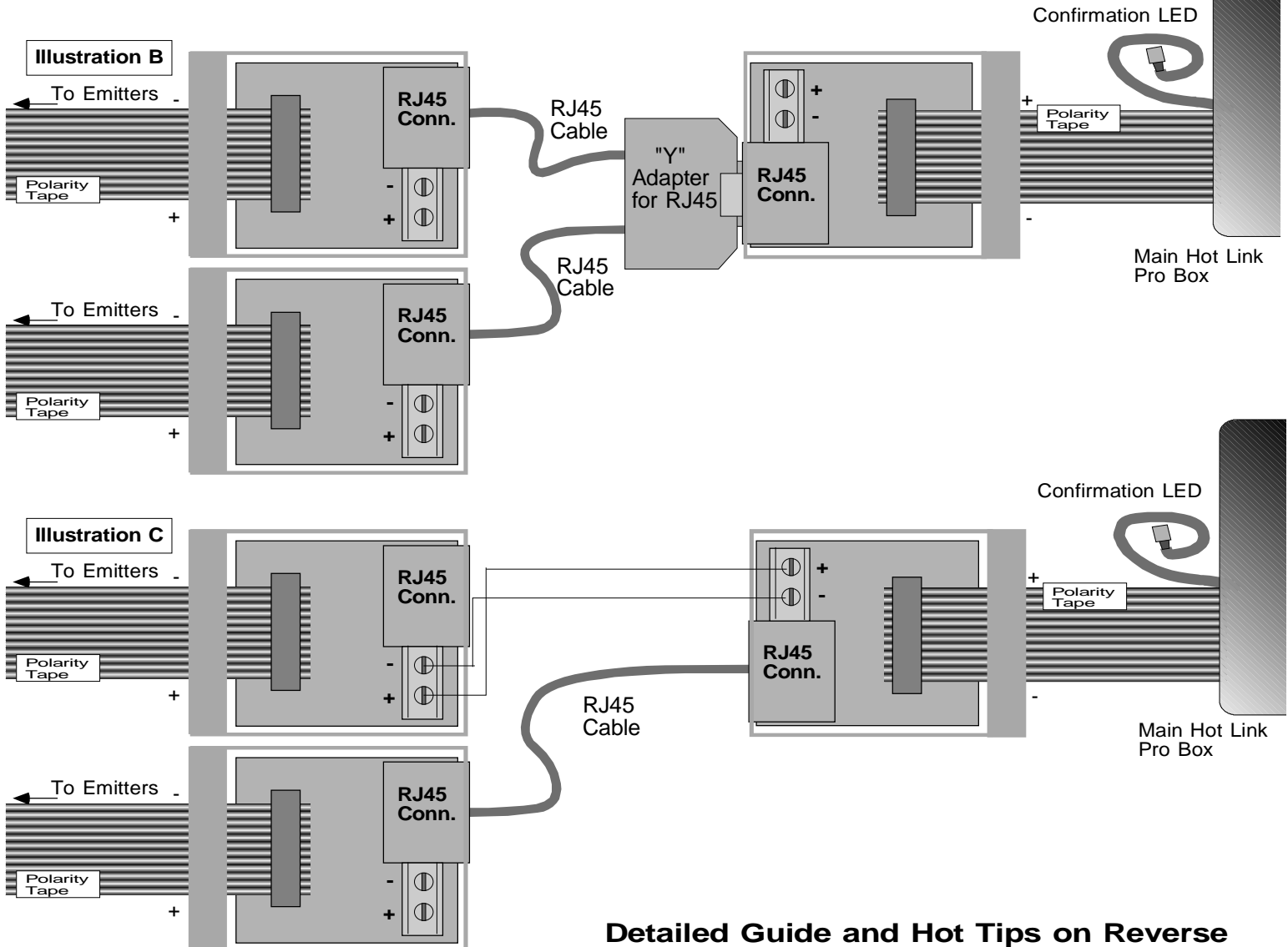


Thank you for purchasing the Emitter Expansion Kit X6 for the HOT LINK PRO! A kit for adding six emitters for Hot Link Pro in conjunction with the Emitter Extension Kit. The Emitter Extension Kit is required for this kit to plug into.

**Caution:** DO NOT enclose equipment not meant to be fully enclosed. While most equipment may not overheat in a moderately-sized cabinet, some equipment such as high-powered amplifiers and receivers may overheat and cause damage. Provide ventilation through back of cabinet.



- 1 Assemble Emitter Extension Kit per Kit instructions before adding this Emitter Expansion Kit X6.
- 2 Use RJ45 Y connector and short jumper cable to connect X6 Emitter IDC Adapter box to either IDCAdapter Box from the Emitter Extension Kit. Category 5 cable with RJ45 connectors can then be used to complete connections, Illustration B. Or open boxes and wire + to + and - to - using screw terminals, Illustration C. Do not over tighten. If phone cord is used to plug in to the RJ45 Jacks, at least one RJ45 cable must be used, with appropriate adapters to restore polarity.



Detailed Guide and Hot Tips on Reverse

## Hints for Best Results

Always ensure that there is enough pressure toward the hinge joint while closing lid to perform clamping action. Press against a table to increase pressure if not clamped fully.

Ribbon cable may need to be "curved" upon insertion to come up over the IDC pins.

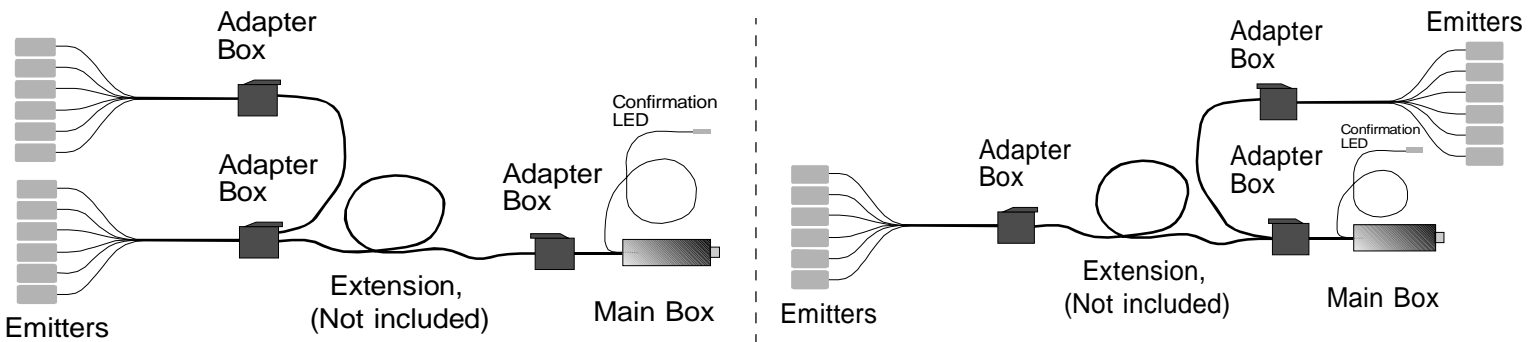
To remove IDC Clamp Cap: Insert a small screw driver into the slots on Clamp Cap and GENTLY press side clips outward while lifting. Lift one side just enough to rest the clip, then the other. Do not pull hard or the opposite side will break. These side clips are fragile. If broken the Clamp Cap can still be used but it will be more difficult to align the Cap.

## Cable to use for connecting IDC Boxes

Ethernet or category 5 cable with RJ45 Connectors will work well for emitter extension cables. Reverse ethernet cables will also work as the 2 center wires are the same in both types of cables. Phone cords are reverse polarity from one end to the other. Phone Cord can be used with an ethernet cable and adapters to maintain polarity. Any twin lead wire set may be used such as speaker wire, phone hookup wire, twin lead even category 5 without connectors by using the screw terminals provided. Extensions can be over 100 feet long. Do not run parallel to high power or noisy wires or bundled within a core of noisy wires. Check for system noise by observing the confirmation LED when remote controls are not in use. This LED should be fully off with no glow at all.

## Connecting Additional 6 Emitter Kit X6

Add additional 6 emitter kit X6 by using supplied Y adapter or parallel wires on screw terminals. The additional 6 emitters may be added at either end of the emitter extension kit. This allows either, 12 far away, 12 near or 6 near and 6 far away.



Main instructions on reverse.

## Accessories and Models

- ▶ Additional Receiver Eye for connecting to other IR emitters, supplied with "Y" RCA adapter
  - ▶ Coax Extender Cable, custom lengths to 25 feet. (additional length may reduce IR distance)
  - ▶ Add 6 emitters with Emitter Expansion Kit X6
  - ▶ Emitter Extension Kit extends all emitters with just 2 wires
  - ▶ Replacement adhesive tape, free for the asking
  - ▶ Want 12 emitters from one box? Try Hot Link Pro X12 with 12 emitters on 8 foot cables
- 
- ▶ For indoor use only.
  - ▶ Liability of product limited to cost of product replacement.
  - ▶ Non-specified use is the responsibility of the user.
  - ▶ DO NOT OPEN Power Supply or Repeater Box: No user serviceable parts inside.
  - ▶ Do not expose HOT LINK PRO Accessories to water, moisture or rain.
  - ▶ Refer servicing to qualified personnel. Read all instructions before use, retain for future reference.

For service, and accessories,  
call: 800-999-8846  
[WWW.HOT-LINK.COM](http://WWW.HOT-LINK.COM)



P.O. BOX 7829  
Jackson, WY 83002