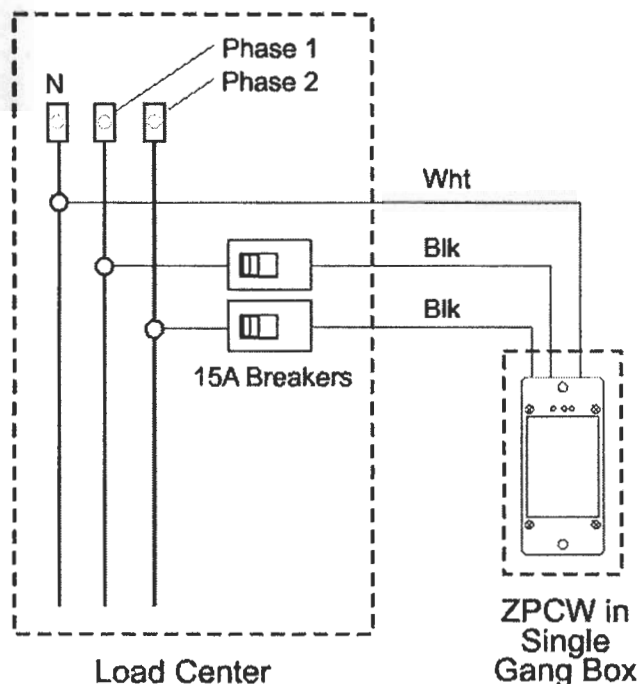


FUNCTION

The model ZPC Universal Phase Coupler is useful for coupling UPB (Universal Powerline Bus), as well as X10 and broadband signals, across two 120VAC power circuits in a split-phase residential installation. Each unit also has built-in surge suppression. Two models are available:

- Model ZPC-B (left in photo) can be installed in a tandem-breaker position in many load centers (e.g., Cutler-Hammer, Square-D, Murray and GE).
- Model ZPC-W (right in photo) can be installed in a junction box mounted near the home's load center.

Single Split-Phase System



IMPORTANT SAFETY INSTRUCTIONS

When using electrical products, basic safety precautions should always be followed, including the following:

1. READ AND FOLLOW ALL SAFETY INSTRUCTIONS.
2. Installation should be performed by a qualified electrician.
3. Connect only copper or copper-clad wire to this product.
4. Keep away from water. If product comes into contact with water or other liquid, unplug immediately.
5. Never use products that have been dropped or damaged.
6. Do not use this product outdoors.
7. Do not use this product for other than its intended use.
8. To avoid risk of fire, burns, personal injury and electric shock, install this product out of reach of small children.
9. Do not cover the product with any material when in use.
10. SAVE THESE INSTRUCTIONS.



CAUTION: These devices store an electrical charge, which can present a minor shock hazard. Always discharge the phase coupler prior to touching any of the connections. After removing power, the unit can be discharged by shorting with an insulated metal tool.



CAUTION: DO NOT WIRE THIS DEVICE WITH POWER CONNECTED. Injury or permanent damage may result. Improper installation voids the warranty.

INSTALLATION OF ZPC-W

The model ZPC-W Universal Phase Coupler is designed to be installed in a junction box that is wired to a readily accessible over-current protection device in the building wiring per NEC and CEC electrical codes.

1. Install a single-gang junction box (according to local electrical codes) in a location from which 15A circuits from both AC power phases can be accessed. Mount the phase coupler into the box.
2. Disconnect power at the circuit breakers that control the two phase connection points, or at the main breaker.
3. Connect one black wire of the phase coupler to the protected side of Line A using copper wire rated for 15A service. Connect the other black wire to Line B in a similar fashion.
4. Connect the white wire of the phase coupler to Neutral using copper wire rated for 15A service.
5. Restore power at the circuit breakers. Verify that all 3 LEDs are illuminated. Install the cover plate on the junction box.

INSTALLATION OF ZPC-B

The model ZPC-B Universal Phase Coupler is designed to be installed into a Cutler-Hammer, Square-D, Murray or GE residential load center.

1. Disconnect power at the main breaker.
2. Install the phase coupler into an available tandem 2-phase slot in the load center, in accordance with the manufacturer's instructions. Connect the white wire of the phase coupler to the Neutral rail.
3. Restore power and verify that all 3 LEDs are illuminated.

LED INDICATORS

Phase coupling and surge suppression are active when all 3 LEDs are illuminated. An extinguished LINE A or LINE B LED indicates an improper Line connection, or the internal phase coupling circuitry is not working. An extinguished SURGE LED indicates an improper Neutral connection, or the internal surge suppression circuitry is not working.